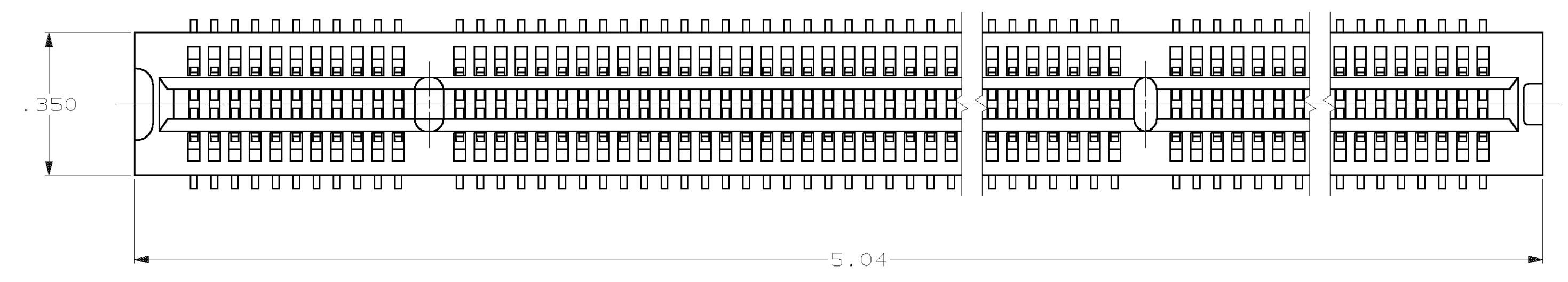
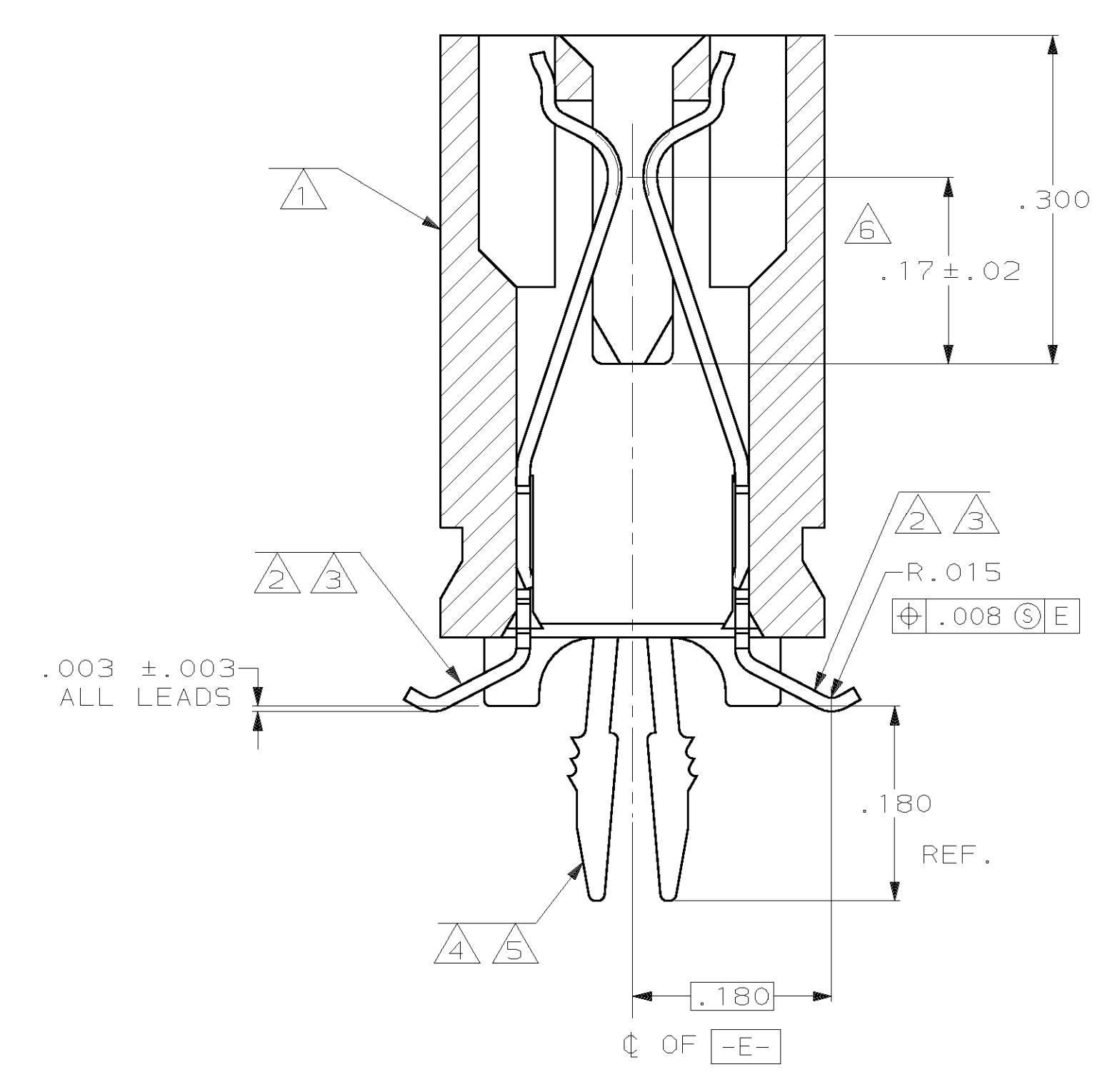
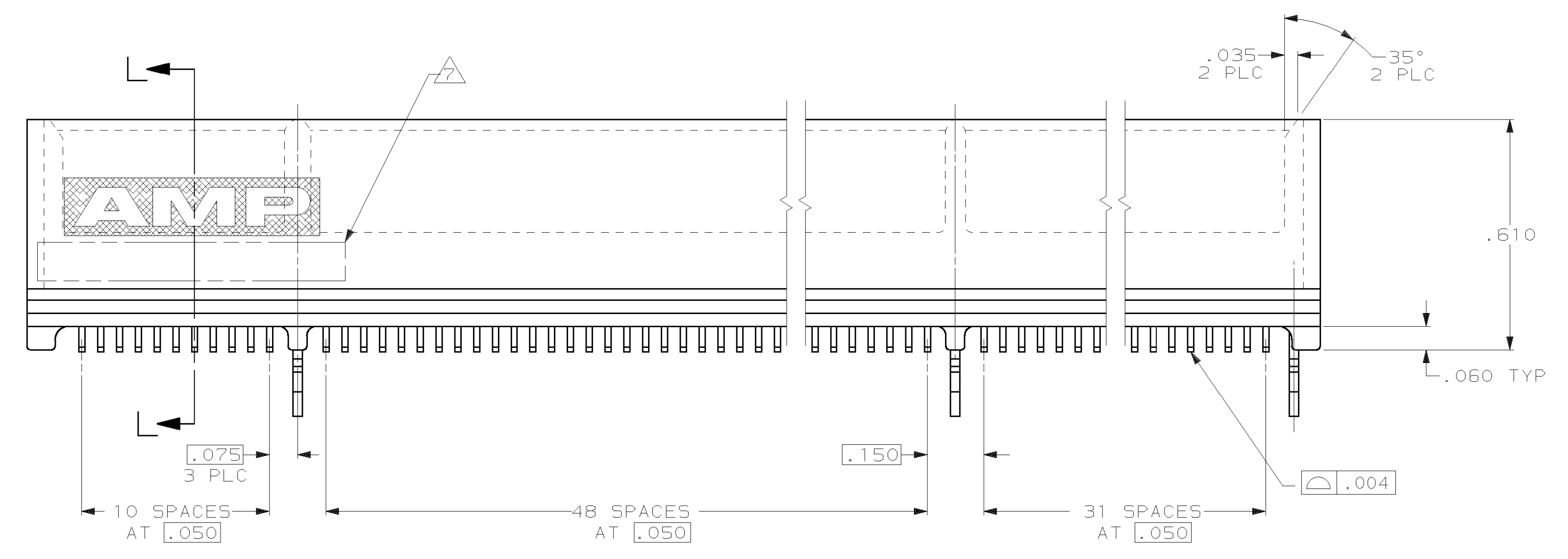


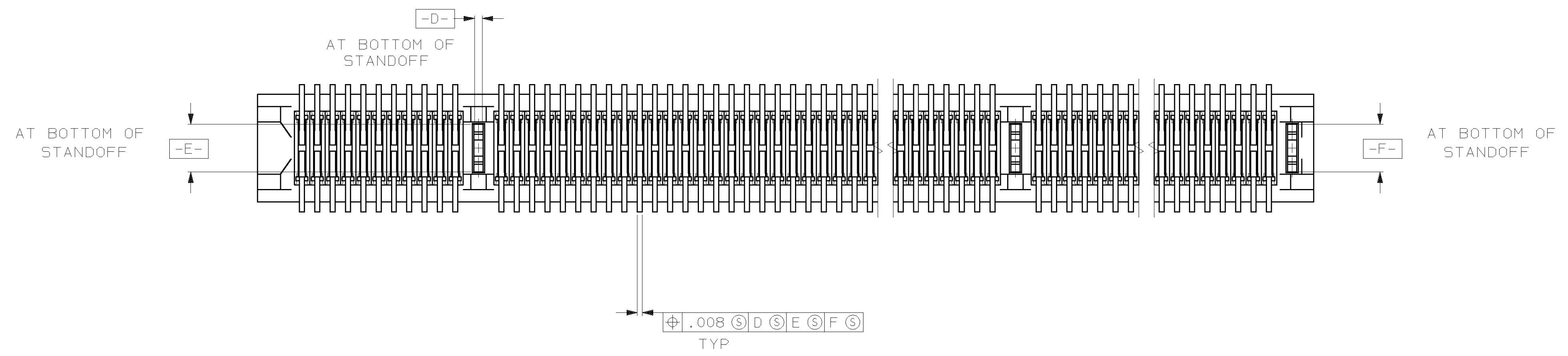
| LOC | DIST | P | F | ZONE | LTR | DESCRIPTION                | DATE     | APPD  |
|-----|------|---|---|------|-----|----------------------------|----------|-------|
| AD  | 14   |   |   |      |     | B REVISED PER 0651-0071-99 | 07APR99  | RB KW |
|     |      |   |   |      |     | C REV PER 051B-0139-00     | 07/10/00 | MM PD |



- ① HOUSING: HIGH TEMPERATURE THERMOPLASTIC.
- ② CONTACT: PHOSPHOR BRONZE.
- ③ CONTACT FINISH: .000100 MIN NICKEL ALL OVER, .000030 MIN GOLD OVER NICKEL IN CONTACT AREA, .000100 MIN TIN-LEAD OVER NICKEL ON SOLDER TAILS.
- ④ METAL HOLD DOWN: BRASS
- ⑤ METAL HOLD DOWN FINISH: .000050 MIN NICKEL ALL OVER, .000150 MIN TIN-LEAD ALL OVER.
- ⑥ DISTANCE FROM CONTACT POINT TO BOTTOM OF CARD SLOT.
- ⑦ AMP PART NUMBER, DATE CODE AND CSA LOGO MARKED IN APPROXIMATE AREA SHOWN.



SECTION L-L  
SCALE 8:1

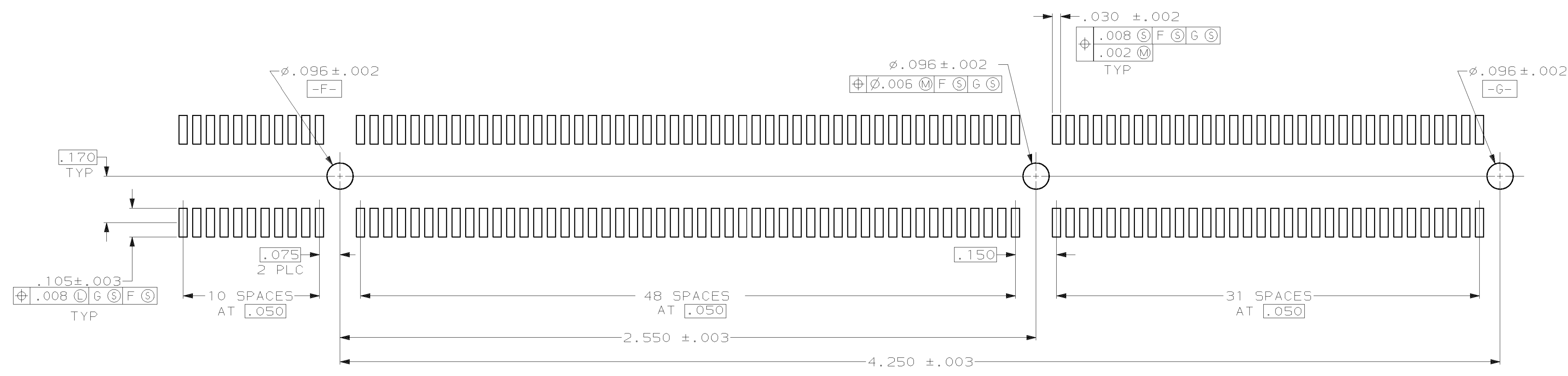


145246-1 AS SHOWN

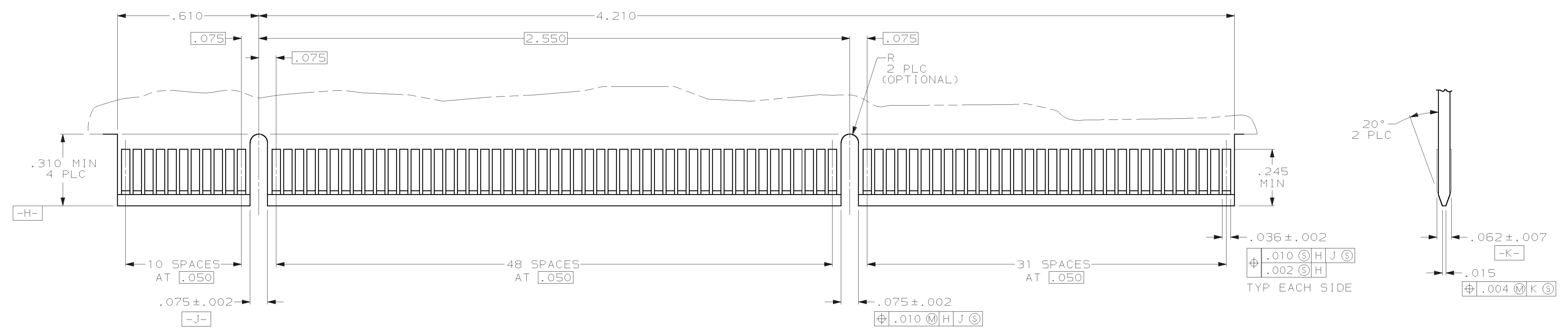
|  |  |                       |  |  |  |
|--|--|-----------------------|--|--|--|
| DO NOT SCALE PRINT. UNLESS SPECIFIED DIMENSIONS IN mm [INCHES] TOLERANCES ON: 2 PLC DEC ± .01 3 PLC DEC ± .005 ANGLES ± 2° |  | DR 2/29/95 R BROWN    |  | PART NO  |  |
| MATERIAL   |  | CHK 2/29/95 M BOWERS  |  | AMP Incorporated<br>Harrisburg, PA 17105-3608                                  |  |
| FINISH   |  | APPD 2/29/95 M BOWERS |  |  |  |
| ① ② ④<br>③ ⑤   |  | APPD 2/29/95 D SARVER |  | NAME   |  |
| PRODUCT SPEC   |  | APPLICATION SPEC      |  | CONNECTOR ASSEMBLY, 92 DUAL POSITION, .050 SERIES, STANDARD EDGE SURFACE MOUNT |  |
| WEIGHT   |  | SCALE 4:1             |  | SIZE   |  |
|  |  |                       |  | D 00779  |  |
|  |  |                       |  | CAGE CODE  |  |
|  |  |                       |  | G-145246   |  |
|  |  |                       |  | DRAWING NO   |  |
|  |  |                       |  | SHEET 1 OF 2   |  |

THIS DRAWING IS A CONTROLLED DOCUMENT FOR AMP INCORPORATED. IT IS SUBJECT TO CHANGE AND THE CONTROLLING ENGINEERING ORGANIZATION SHOULD BE CONTACTED FOR THE LATEST REVISION.

| LOC |    | DIST |  | P |  | ZONE |  | LTR |  | REVISIONS |             | DATE | APPD |
|-----|----|------|--|---|--|------|--|-----|--|-----------|-------------|------|------|
| AD  | 14 |      |  |   |  |      |  |     |  |           | DESCRIPTION |      |      |
|     |    |      |  |   |  |      |  |     |  |           | SEE SHEET 1 |      |      |



RECOMMENDED CONNECTOR MOUNTING HOLE PATTERN  
 (CONNECTOR SIDE SHOWN)



RECOMMENDED MATING BOARD EDGE CONFIGURATION

|  |                               |  |
|--|-------------------------------|--|
| DO NOT SCALE PRINT.<br>UNLESS SPECIFIED<br>DIMENSIONS IN mm [INCHES]<br>TOLERANCES ON:<br>2 PLC DEC ± .01<br>3 PLC DEC ± .005<br>ANGLES ± 2° | DR 2/29/96<br>R BROWN         | AMP Incorporated<br>Harrisburg, PA 17105-3508  |
|  | CHK 2/29/96<br>M BOWERS       |  |
| MATERIAL   | APPD 2/29/96<br>M BOWERS      | NAME   |
| SEE SHEET 1  | APPD 2/29/96<br>D SARVER      | CONNECTOR ASSEMBLY, 92 DUAL<br>POSITION, .050 SERIES, STANDARD<br>EDGE SURFACE MOUNT |
| FINISH   | PRODUCT SPEC<br>108-14034     | SIZE   |
| SEE SHEET 1  | APPLICATION SPEC<br>114-26012 | CAGE CODE  |
|  | WEIGHT                        | DRAWING NO.  |
|  |                               | 00779  |
|  |                               | 145246   |
|  |                               | SCALE  |
|  |                               | 4:1  |
|  |                               | SHEET  |
|  |                               | 2 OF 2   |